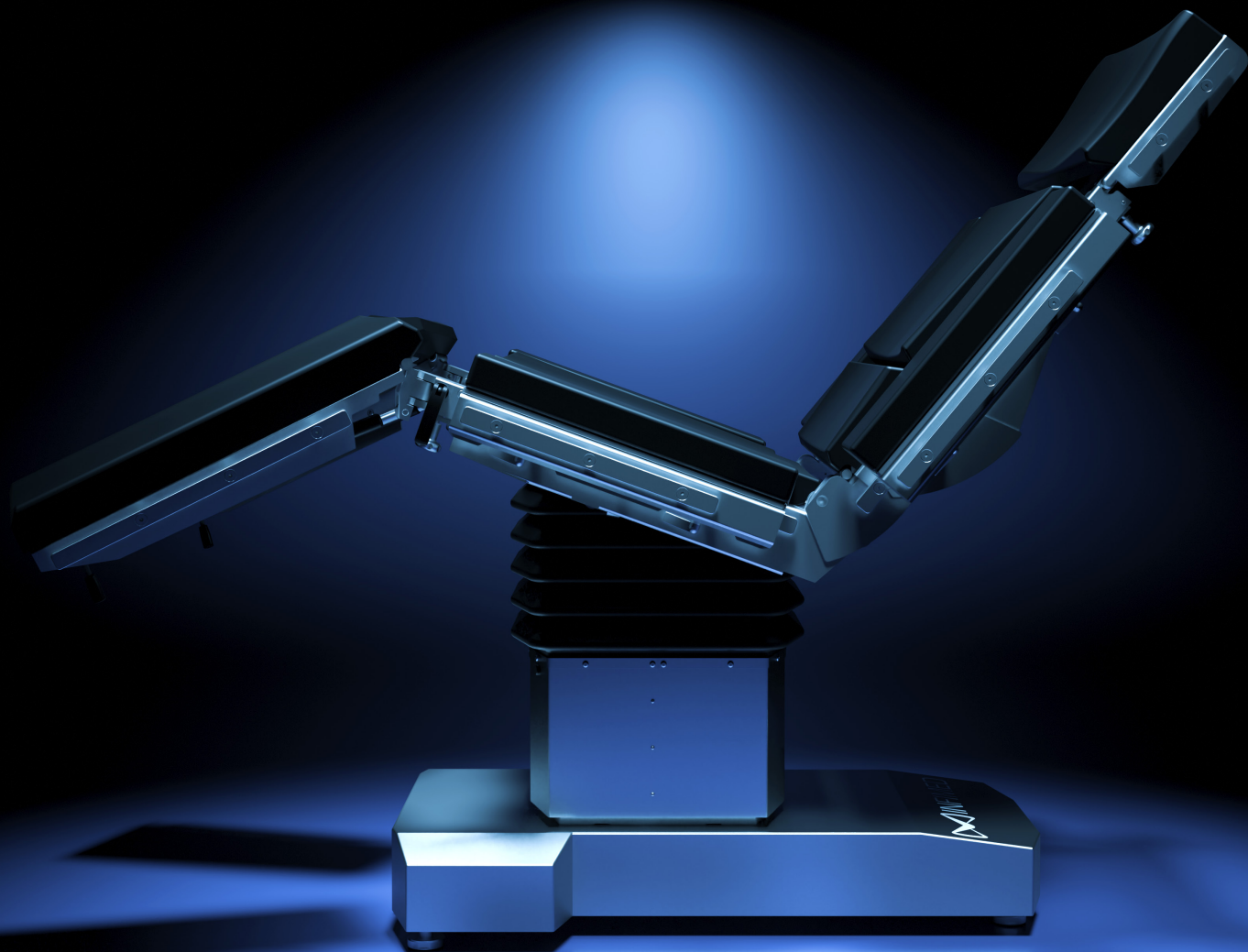


OPERATING TABLES



A close-up, low-angle shot of a modern operating table. The table is dark-colored with a complex metal frame. The brand name 'INFIMED' is visible on a white label on the side of the table. The lighting is dramatic, with strong highlights and deep shadows, creating a professional and technical atmosphere.

OPERATING TABLES **VIVAX**

PRECISION
PERFORMANCE
POSSIBILITY

Highlights

Founded in 2013 in Żywiec, Poland, INFIMED Sp. z o.o. is a manufacturer of highquality medical equipment, specializing in operating tables, surgical lamps, and complementary hospital infrastructure. From our origins as a locally recognized brand, INFIMED has evolved into a globally trusted partner for healthcare providers around the world.

The Vivax Series offers a versatile range of electro-hydraulic operating tables designed to meet the demands of every surgical environment - from general procedures to bariatric operations and advanced imaging. Crafted for reliability, engineered for precision.

The range includes the following versions:

VIVAX CORE

Essential performance for general surgical needs, with **manually operated tabletop**.

VIVAX MAX

Bariatric-ready design with **motorized (electrohydraulically) operated tabletop**.

VIVAX PRO

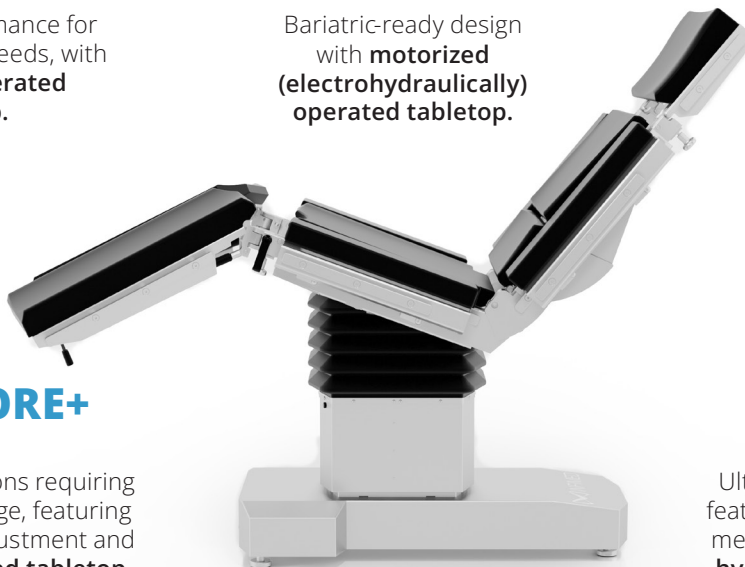
Enhanced versatility with **motorized (electro-hydraulically) operated tabletop**.

VIVAX CORE+

Designed for situations requiring a greater height range, featuring extended height adjustment and a **manually operated tabletop**.

VIVAX PRO+

Ultimate adaptability in the OR, featuring extended height adjustment and a **motorized (electro-hydraulically) operated tabletop**.



VIVAX IMAGE

Optimized for imaging procedures, featuring a carbon **fiber tabletop** for full radiolucent compatibility.

VIVAX ORT

Specialized for orthopedic and shoulder surgeries, featuring a tabletop with detachable shoulder sections.

Design

The Vivax operating tables combine durability with functionality. All key components — tabletop sections, base, and column covers — are made of **matt-polished stainless steel**, ensuring smooth, hygienic surfaces that are **impact resistant, easy to clean, and sealed against fluid ingress**, thereby minimizing the risk of infection.



Operating table **VIVAX** with optional **Super Mobile** base

Operating table **VIVAX** with standard **T** base

Bases

Standard “T” Base – Equipped with five antistatic castors (four rear castors arranged in two pairs and one directional castor in the front). Operated via a foot-controlled central brake, with the option of an **electro-hydraulic brake**.

“Super Mobile” Base – Designed for enhanced maneuverability and improved access to the operating field, featuring four **Ø125 mm antistatic castors**. Includes a driving system with a foot-operated central brake and directional castor.

Table Tops

4-Section Tabletop – Headrest, backrest, seat rest, and two footrest sections.

5-Section Tabletop – Headrest, divided backrest with kidney bridge, seat rest, and two footrest sections.

In all tabletops the headrest and footrest sections are interchangeable.



5 section
table top



4 section
table top

Mattresses

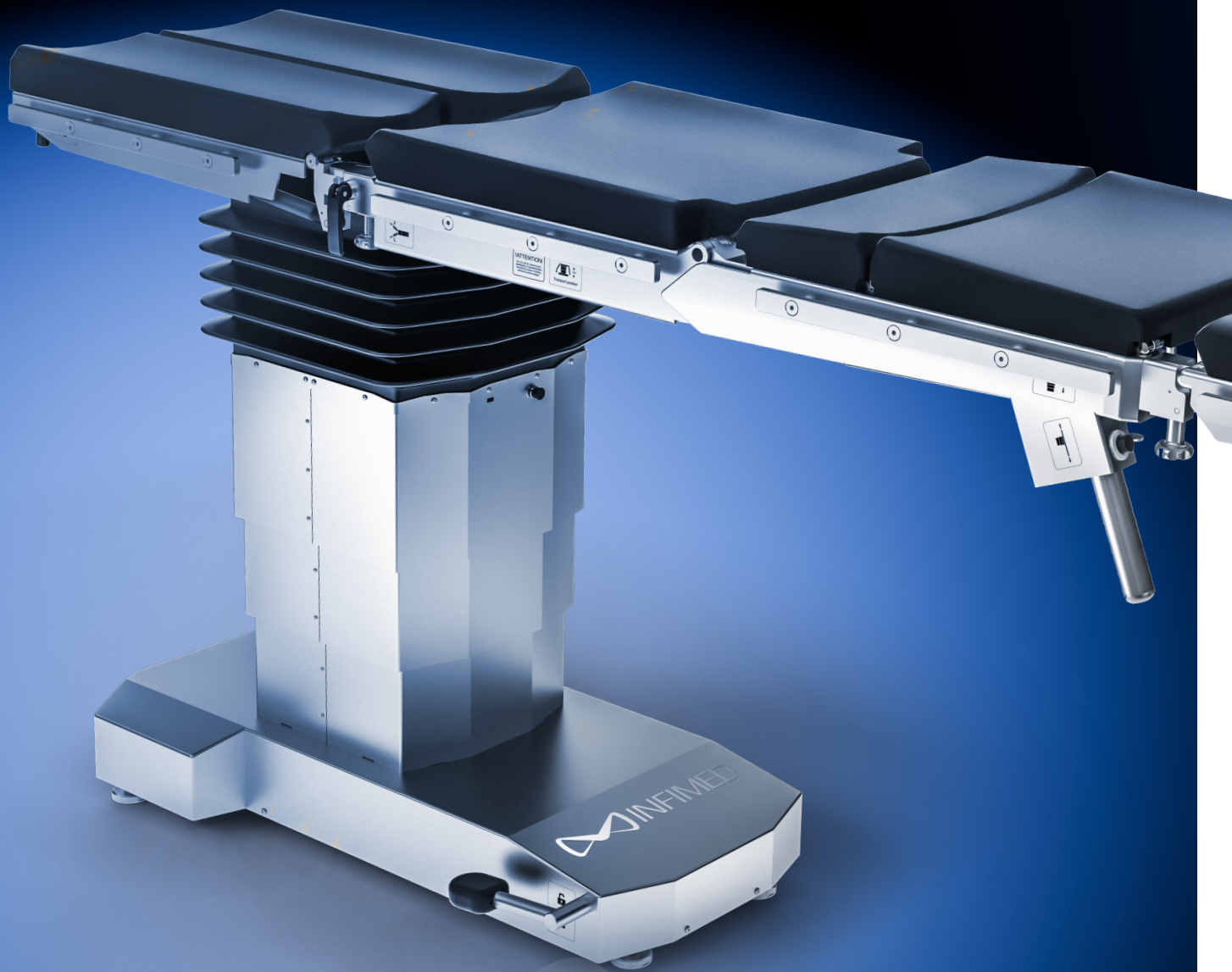
Standard Mattress – High-quality, ergonomically profiled, 50 mm polyurethane foam, antistatic, seamless, with antibacterial protection. Easily removable for maximum hygiene and effective cross-contamination prevention.

Optional Premium Mattress – Upholstered in antistatic faux leather, 80 mm thick, fixed to table top on Velcro, constructed in three layers:

- Bottom: 5 mm EPDM foam
- Middle: 25 mm T40 foam
- Top: 50 mm memory foam

This multi-layer system provides superior comfort and pressure relief during long procedures.

OPERATING TABLES **VIVAX**



IMAGING
FLEXIBILITY

Imaging Flexibility

Superior imaging is ensured by full length X-ray cassette tunnel (except foot sections), with possibility of inserting the cassette from both sides, headrest and footrests interchange and longitudinal slide (350 mm).

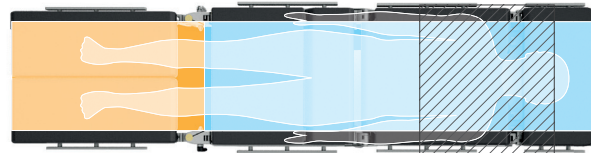


Table top moved to the head side, interchanged head and foot sections

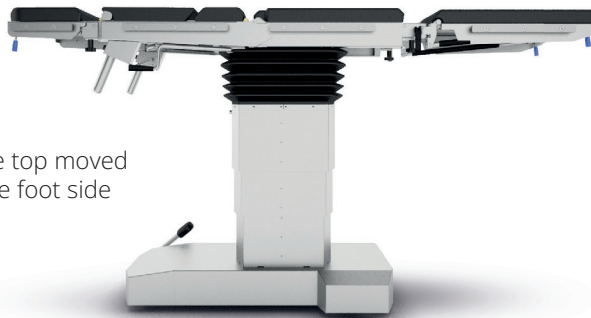
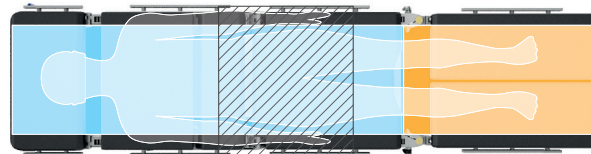


Table top moved to the foot side

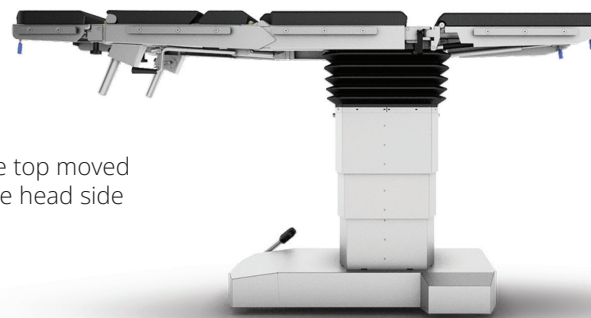
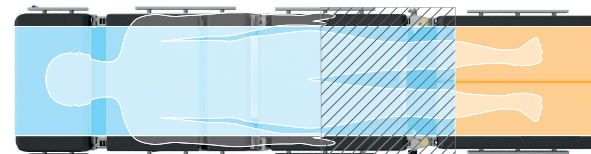





Table top moved to the head side

Schemes description

-  X-ray cassette tunnel and access to C-arm
-  Access to C-arm only
-  Table column - no access to C-arm

IMAGING FLEXIBILITY

Features and controls

- **Battery powered system** with integrated charger located in the base.
- **Advanced software** ensuring smooth, precise, and reliable table movements.
- **High-performance electro-hydraulic system**, developed with technical solutions from a world-leading micro-hydraulics provider.

Standard “T” Base – Equipped with five antistatic castors (four rear castors arranged in two pairs and one directional castor in the front). Operated via a foot-controlled central brake, with the option of an **electro-hydraulic brake**.

“Super Mobile” Base – Designed for enhanced maneuverability and improved access to the operating field, featuring four **Ø125 mm antistatic castors**. Includes a driving system with a foot-operated central brake and directional castor.

Controls



Wired controller (standard)



Wired or wireless controller with LCD display (optional)



Sensor side control panel on the column (optional)



LCD side control panel on the column (optional)



Wall-mounted control panel - OPERA system (optional)

Override control system

mechanic-hydraulic, used in case of wire controller damage, failure of the main drive or the control system (optional)

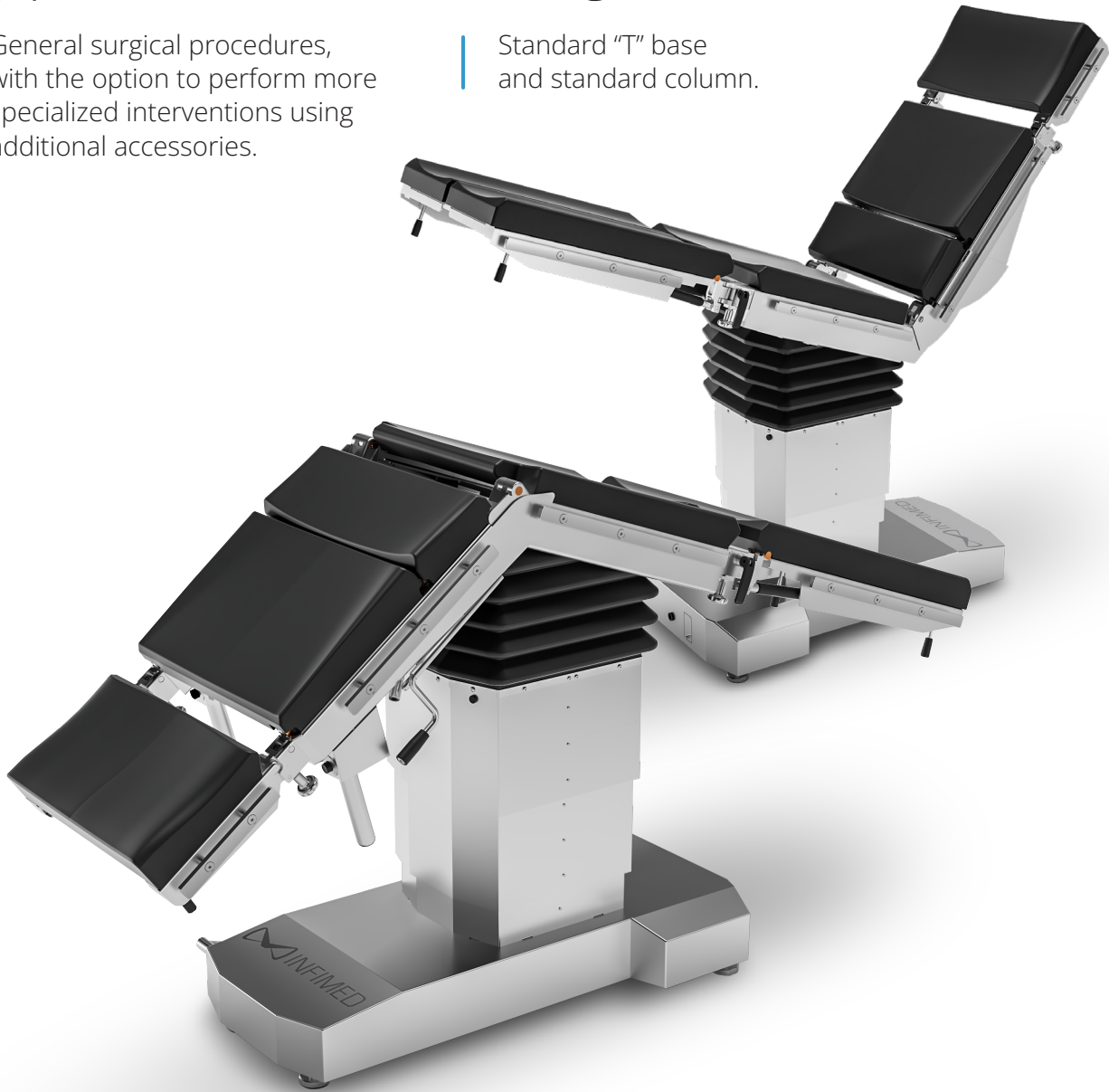
VIVAX CORE / PRO

Application

General surgical procedures, with the option to perform more specialized interventions using additional accessories.

Design

Standard "T" base and standard column.



Adjustment	VIVAX CORE	VIVAX PRO
Height adjustment	Motorized	Motorized
Lateral tilts	Motorized	Motorized
Trendelenburg and Rev- Trendelenburg tilts	Motorized	Motorized
Back rest	Gas spring supported	Motorized
Kidney bridge	Manual	Motorized
Longitudinal slide	Manual	Motorized
Central brake	Foot operated	Foot operated (optionally motorized)
Foot rest	Gas spring supported	Gas spring supported
Head rest	Gas spring supported	Gas spring supported

VIVAX CORE+ / PRO+

Application

General surgical procedures, designed for situations requiring a greater height range, with the option to perform more specialized interventions using additional equipment.

Design

Modified "T" base and column, enabling an extended height adjustment range.



Adjustment	VIVAX CORE+	VIVAX PRO+
Height adjustment	Motorized	Motorized
Lateral tilts	Motorized	Motorized
Trendelenburg and Rev- Trendelenburg tilts	Motorized	Motorized
Back rest	Gas spring supported	Motorized
Kidney bridge	Manual	Motorized
Longitudinal slide	Manual	Motorized
Central brake	Foot operated	Foot operated (optionally motorized)
Foot rest	Gas spring supported	Gas spring supported
Head rest	Gas spring supported	Gas spring supported

VIVAX MAX

Application

Bariatric procedures for patients weighing up to 450 kg.

Design

Standard "T" base and column, with a widened tabletop and special extensions to safely support heavier patients



VIVAX CORE / PRO / MAX

Adjustment

VIVAX MAX

Height adjustment	Motorized
Lateral tilts	Motorized
Trendelenburg and Rev- Trendelenburg tilts	Motorized
Back rest	Motorized
Kidney bridge	Motorized
Longitudinal slide	Motorized
Central brake	Motorized
Foot rest	Gas spring supported
Head rest	Gas spring supported

VIVAX IMAGE

Application

Operations with simultaneous radiolucency of the operating field: intraoperative radiology and angiography, heart and vascular surgery.

Design

Standard "T" base and column, with a single-section carbon fiber tabletop ensuring maximum X-ray transparency and unrestricted access for C-arm imaging



Controls

- standard wired controller
- joystick (optionally)



Adjustment	VIVAX IMAGE	VIVAX IMAGE+
Height adjustment	Motorized	Motorized
Lateral tilts	Motorized	Motorized
Trendelenburg and Rev- Trendelenburg tilts	Motorized	Motorized
Longitudinal slide	Motorized (optionally without)	Motorized
Lateral slide	Motorized (optionally without)	Motorized
Central brake	Foot operated	Foot operated

VIVAX ORT Core / ORT Pro

Application

Orthopedic, traumatology and shoulder surgeries.

Design

Standard "T" base and column, with a tabletop featuring **fully detachable shoulder sections** and a horseshoe headrest for unrestricted surgical access. Additional orthopedic attachments can replace the footrest sections as required.



VIVAX IMAGE / ORT

Adjustment	VIVAX ORT CORE	VIVAX ORT PRO
Height adjustment	Motorized	Motorized
Lateral tilts	Motorized	Motorized
Trendelenburg and Rev- Trendelenburg tilts	Motorized	Motorized
Back rest	Gas spring supported	Motorized
Longitudinal slide	Not available	Motorized
Central brake	Foot operated	Foot operated
Foot rest	Gas spring supported	Gas spring supported
Head rest	Manual	Manual

OPERATING TABLES **FENIX**



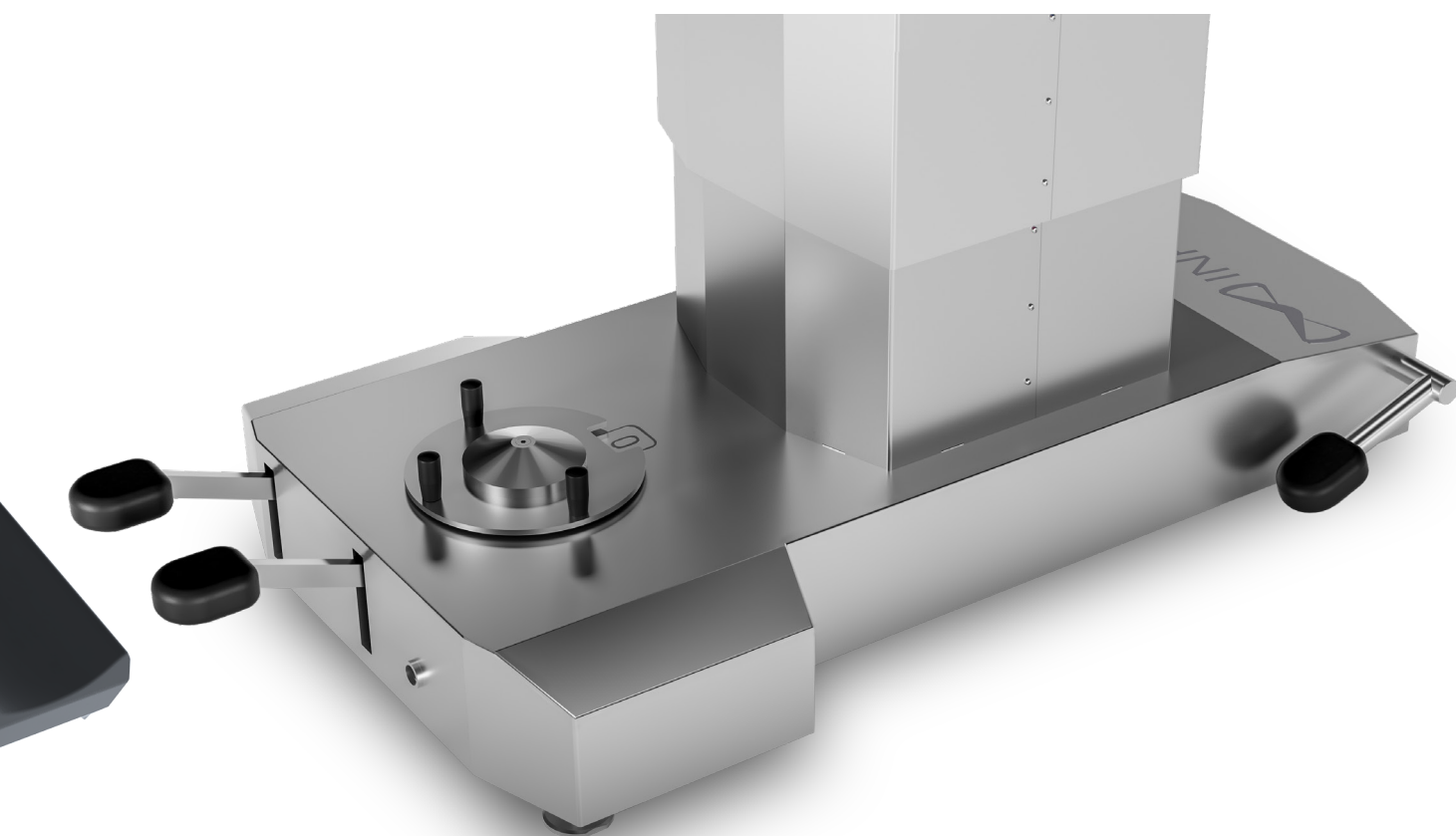
FENIX

Application

General surgical procedures, with the option to perform more specialized interventions using additional equipment.

Design

Standard "T" base and standard column (optional "Super Mobile" Base). Powered by a hydraulic system, operated via foot position selector and foot levers for precise, hands-free control.



FENIX OPERATING TABLES

Adjustment

FENIX

Height adjustment	Foot operated
Lateral tilts	Foot operated
Trendelenburg and Rev- Trendelenburg tilts	Foot operated
Back rest	Gas spring supported
Kidney bridge	Manual
Longitudinal slide	Manual (optionally)
Central brake	Foot operated
Foot rest	Gas spring supported
Head rest	Gas spring supported

OPERATING TABLES | TECHNICAL PARAMETERS

TECHNICAL PARAMETERS	VIVAX CORE VIVAX ORT CORE	VIVAX PRO VIVAX ORT PRO	VIVAX MAX
Total length of the table with 4, 5 sections, orthopedic and bariatric table tops [mm]	2100 mm	2100 mm	2100 mm
Table top width (without / with side rails)	500 mm / 560 mm	500 mm / 560 mm	800 mm / 860 mm
Height adjustment, with mattress 50 mm (electro-hydraulic):			
- standard	730 mm – 1080 mm	730 mm – 1080 mm	730 mm – 1080 mm
- extended	700 mm – 1150 mm*	700 mm – 1150 mm*	700 mm – 1150 mm*
Lateral tilts adjustment (electro-hydraulic)	± 30°	± 30°	± 30°
Trendelenburg / reverse-Trendelenburg adjustment (electro-hydraulic)	± 40°	± 40°	± 40°
Backrest adjustment (pneumatic)	- 45° ; +85°	-----	-----
Backrest adjustment (electro-hydraulic)	-----	- 35° ; +85°	- 35° ; +85°
Flex/Reflex angle:	225° / 95°	215° / 105°	215° / 105°
Footrest adjustment (pneumatic)	- 90° ; +25°	- 90° ; +25°	- 90° ; +25°
Footrest abduction (mechanic)	180°	180°	180°
Headrest adjustment (pneumatic)	± 45°	± 45°	± 45°
Kidney bridge adjustment (mechanic)	~120 mm	-----	-----
Kidney bridge adjustment (electro-hydraulic)	-----	~120 mm	~120 mm
Longitudinal slide (electro-hydraulic)	-----	350 mm	350 mm
Electro-hydraulic castors brake	Option	Option	Standard
Table mass	280 kg +/- 10%	300 kg +/- 10%	320 kg +/- 10%
Safe working load	250 kg	250 kg	450 kg
Built in battery power	24 V	24 V	24 V
Built in charger power	230 V ~ 50/60 Hz	230 V ~ 50/60 Hz	230 V ~ 50/60 Hz
Working time between battery charging	Up to 65 operations	Up to 65 operations	Up to 65 operations
Lifetime	10 years	10 years	10 years
IP rating / electrical protection class / application part type	IP-X4 / I / B	IP-X4 / I / B	IP-X4 / I / B

TECHNICAL PARAMETERS	VIVAX IMAGE	VIVAX IMAGE+
Total length of the table carbon fibre table top	2200 mm	2200 mm
Table top width (without / with side rails)	600 / 620 mm	600 / 620 mm
Height adjustment, without mattress (electro-hydraulic):	800 mm – 1150 mm	750 mm -1100 mm (700 -1150 mm*)
Lateral tilts adjustment (electro-hydraulic)	± 20°	± 25°
Trendelenburg / reverse-Trendelenburg adjustment (electro-hydraulic)	± 20°	± 25°
Longitudinal slide (electro-hydraulic)	350 mm	350 mm (540 mm*)
Lateral slide (electro-hydraulic)	210 mm	210 mm (260 mm*)
Tabletop transparency	1,2 mm Al	0,33 mm Al
Table mass	280 kg +/- 10%	280 kg +/- 10%
Maximum dynamic / static working load	250 kg	250 kg
Built in battery power	24 V	24 V
Built in charger power	230 V ~ 50/60 Hz	230 V ~ 50/60 Hz
Working time between battery charging	Up to 65 operations	Up to 65 operations
Lifetime	10 years	10 years
IP rating / electrical protection class / application part type	IP-X4 / I / B	IP-X4 / I / B

* additional options

TECHNICAL PARAMETERS	VIVAX CORE+	VIVAX PRO+
Total length of the table with 4, 5 sections, orthopedic and bariatric table tops	2100 mm	2100 mm
Table top width (without / with side rails)	500 mm / 560 mm	500 mm / 560 mm
Height adjustment, with mattress 50 mm (electro-hydraulic):	600 mm – 1200 mm	600 mm – 1200 mm
Lateral tilts adjustment (electro-hydraulic)	± 30°	± 30°
Trendelenburg / reverse Trendelenburg adjustment (electro-hydraulic)	+35° / -30°	+35° / -30°
Backrest adjustment (pneumatic)	- 45° ; +85°	-----
Backrest adjustment (electro-hydraulic)	-----	- 35° ; +85°
Flex/Reflex angle:	215° / 105°	215° / 105°
Footrest adjustment (pneumatic)	- 90° ; +25°	- 90° ; +25°
Footrest abduction (mechanic)	180°	180°
Headrest adjustment (pneumatic)	± 45°	± 45°
Kidney bridge adjustment (mechanic)	~120 mm	-----
Kidney bridge adjustment (electro-hydraulic)	-----	~120 mm
Longitudinal slide (mechanic)	350 mm	-----
Longitudinal slide (electro-hydraulic)	-----	350 mm
Electro-hydraulic castors brake	Option	Option
Table mass	280 kg +/- 10%	300 kg +/- 10%
Safe working load	250 kg	250 kg
Built in battery power	24 V	24 V
Built in charger power	230 V ~ 50/60 Hz	230 V ~ 50/60 Hz
Working time between battery charging	Up to 65 operations	Up to 65 operations
Lifetime	10 years	10 years
IP rating / electrical protection class / application part type	IP-X4 / I / B	IP-X4 / I / B

TECHNICAL PARAMETERS	FENIX
Total length of the table with 4, 5 sections	2100 mm
Table top width (without / with side rails)	500 mm / 560 mm
Height adjustment, with mattress 50 mm (hydraulic):	700 - 1000 mm
Lateral tilts adjustment (hydraulic)	± 30°
Trendelenburg / reverse-Trendelenburg adjustment (hydraulic)	± 30°
Backrest adjustment (pneumatic)	- 45° ; +85°
Footrest adjustment (pneumatic)	- 90° ; +25°
Footrest abduction (mechanic)	180°
Headrest adjustment (pneumatic)	± 45°
Kidney bridge adjustment (mechanic)	~120 mm
Longitudinal slide (mechanic, optionally)	350 mm
Table mass	250 kg +/- 10%
Safe working load	250 kg
Lifetime	10 years

PATIENT POSITIONING



Supine position



Supine position



Beach chair position



Lateral position and flex



PATIENT POSITIONING

OPERATING TABLES



Gynecological sitting position



Gynecological lying position



Proctological kneeling position

Neurosurgical surgery - supine position





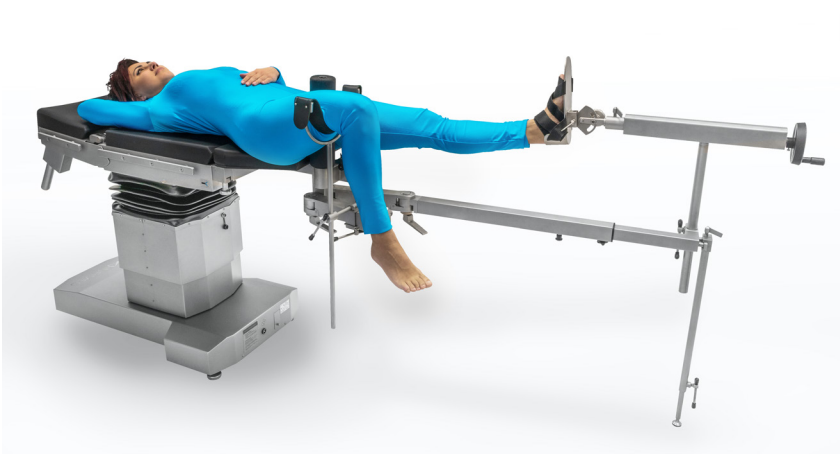
Neurosurgical surgery - sitting position

Orthopaedic surgery - supine Position (orthopaedic attachment EO-01)



PATIENT POSITIONING

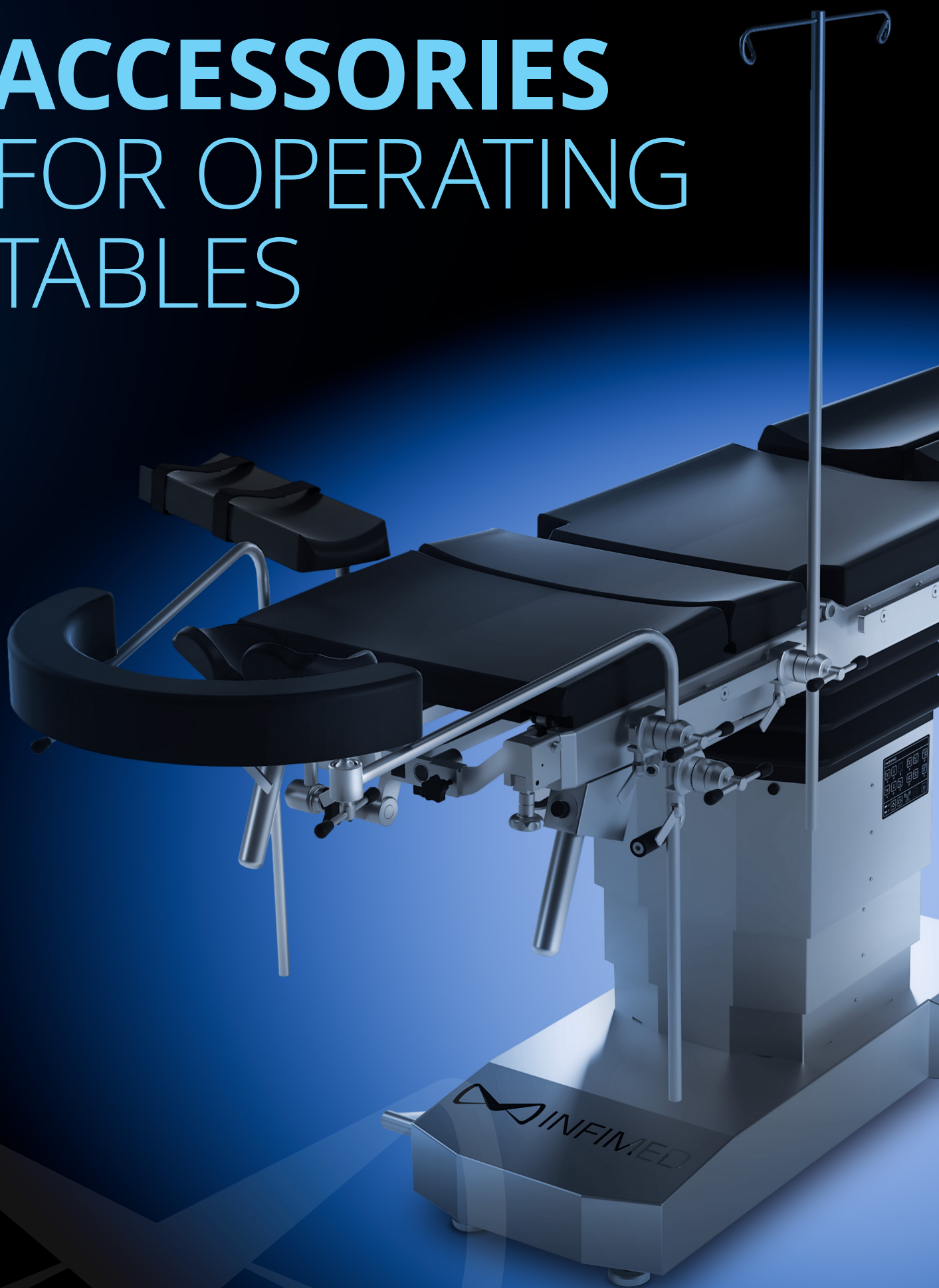
Orthopaedic surgery - supine Position (orthopaedic attachment eo-01 with supports eo-10 and bar support eo-02)



Orthopaedic surgery lateral decubitus position (orthopaedic attachment eo-01 with supports eo-10 and hip support eo-09)



ACCESSORIES FOR OPERATING TABLES





EB-01 One position clamp



EB-02 Multi position clamp



EB-03 Knee support



EB-04 Angle arm support



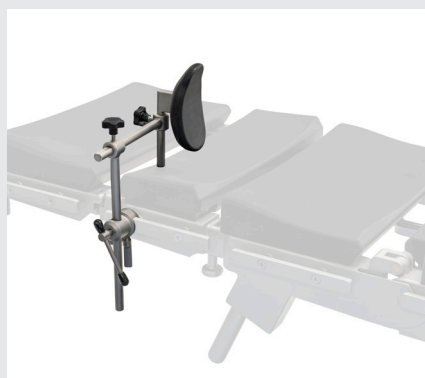
EB-05 Arm support



EB-06 Thigh holder



EB-07 Side-shoulder support
(side support position)



EB-07 Side-shoulder support
(shoulder support position)



EB-08 Side support



EB-09 Anesthetic frame



EB-10 Anesthetic frame
with adjustable width



EB-11 Infusion holder

ACCESSORIES

ACCESSORIES FOR OPERATING TABLES



EB-12 Hand (shank holder)



EB-13 Support for meniscus operation



EB-14 Arm support, with horizontal movement



ES-01 Leg strap **ES-02** Thigh strap



ES-03 Abdominal strap



ES-04 Hand strap



ES-05 Gynecological bowl



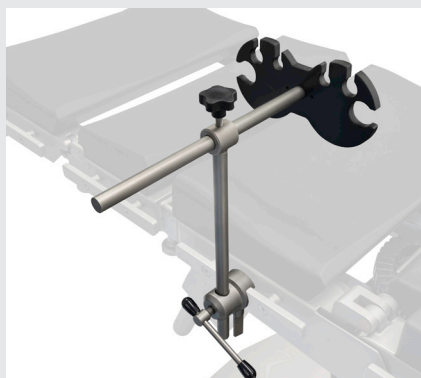
ES-06 Urological bowl



ES-07 Holder for additional equipment, mobile



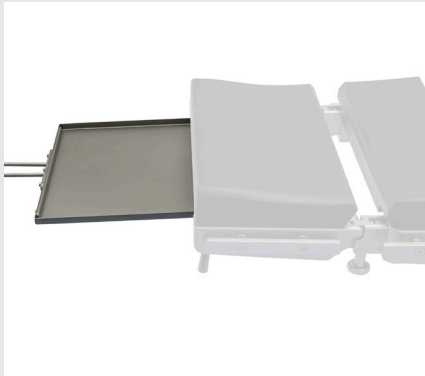
ES-08 Holder for arm operations



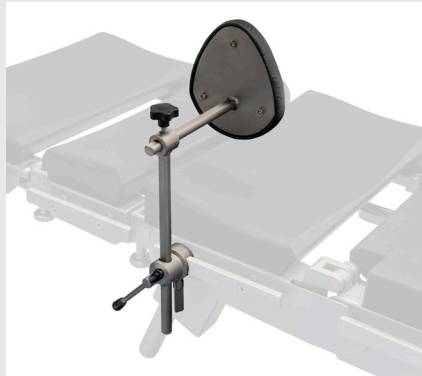
ES-09 Holder for tubes



ES-10 Tray for additional accessories



ES-11 X-ray tray



ES-12 Chest support



ES-13 Attachment for knee operation



ES-14 Pubic support



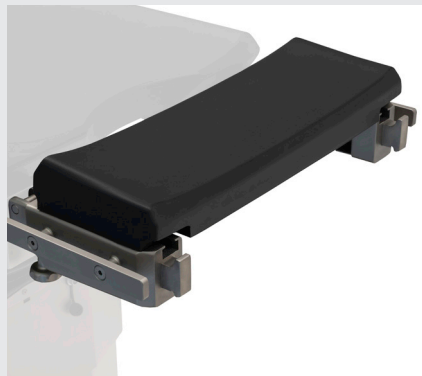
ES-15 Leg support, not-divided



ES-16 Proctological attachment



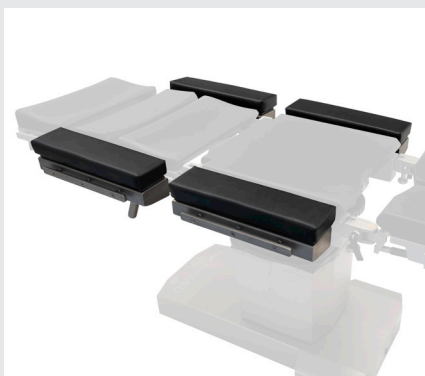
ES-17 Side rail extension



ES-18 Tabletop extension



ES-19 Strap for anesthetic frame



ES-20 Side extension for bariatric tabletop



ES-21 Leg support, divided



EA

EA-01 Adapter for specialistic head rest

ACCESSORIES FOR OPERATING TABLES



EN-01 Specialistic head rest with adjustable track



EN-02 Specialistic head rest, horseshoe



EN-08 Arm support



DORO neurosurgical attachment for laying position



DORO neurosurgical attachment for sitting position



EO-01 Ortopaedic attachment



EO-02 Bar support



EO-03 Leg support



EO-04 Support for plastering



EO-05 Heel holder



EO-06 foot support



EO-07 Clamp for orthopaedic attachment supports



EO-08 Knee operation attachment for orthopedic attachment



EO-09 Hip support for lateral decubitus position



EO-10 Support for orthopedic attachment arms



EO-11 Knee support for side positions



EO-12 Trolley for installation of orthopedic attachment



EO-13 Mobile stand for additional equipment of orthopedic attachment



EO-14 Leather shoes for orthopedic attachment



EO-20 Attachment for hand operating



EO-30 Attachment for shoulder operations with head rest EN-02vv



ER-03.0 Clamp



ER-04.0 Clamp



EM-01 Mattress for spine surgeries



INFIMED Sp. z o.o.

ul. Kabaty 1, 34-300 Zywiec, Poland
tel. fax +48 33 861 40 96
email office@infimed.pl

www.infimed.pl

VAT ID 553-251-29-67

REGON 243274947

KRS 0000463933

For special requirement of the customer it is possible to produce the product with changed technical parameters which do not diminish its safety. The details given in this catalogue are correct at the time of going to press. Infimed Sp. z o.o., however, reserves the right to improve shown equipment.



EN ISO 13485:2016
EN ISO 1v3485:2016